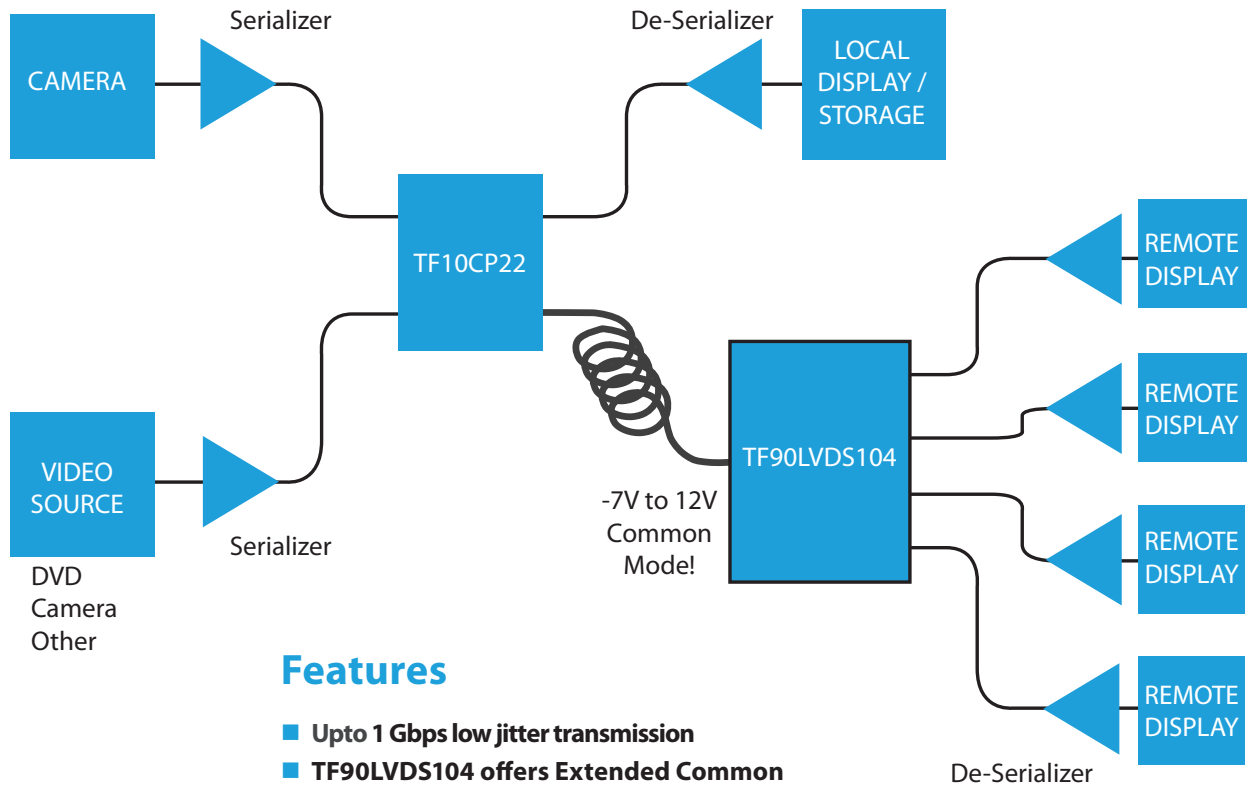


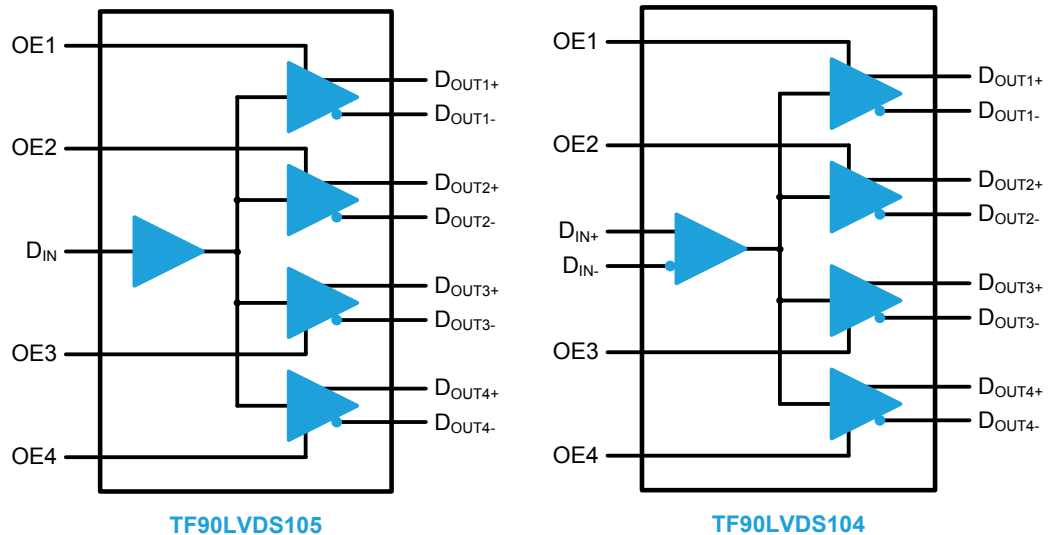
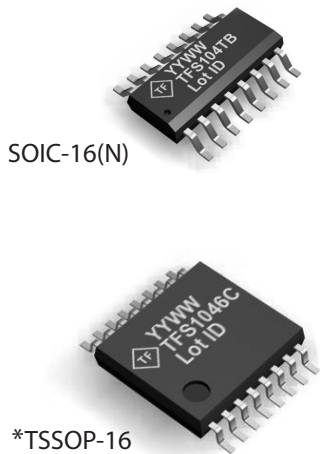


Routing and Switching Serialized Video



Features

- Upto 1 Gbps low jitter transmission
- TF90LVDS104 offers Extended Common Mode -7V to 12V
- Industry Standard Pinouts



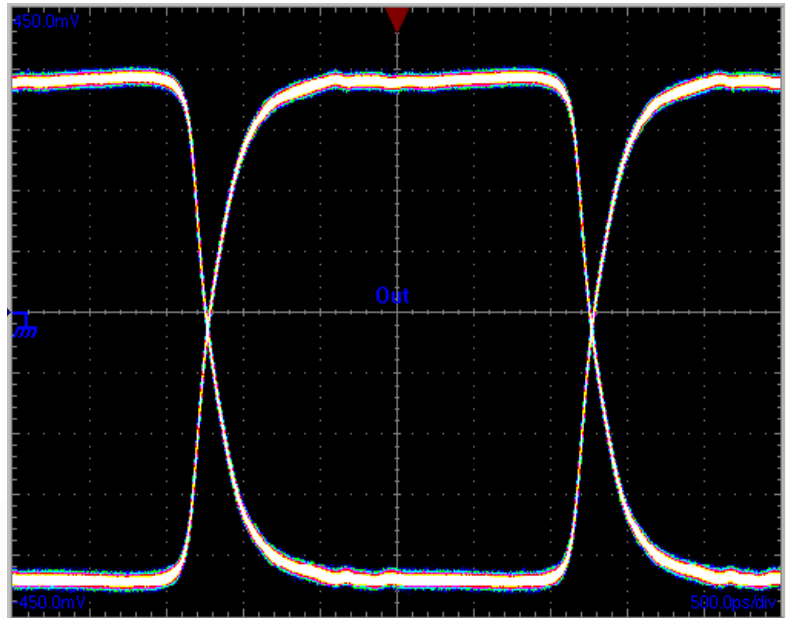
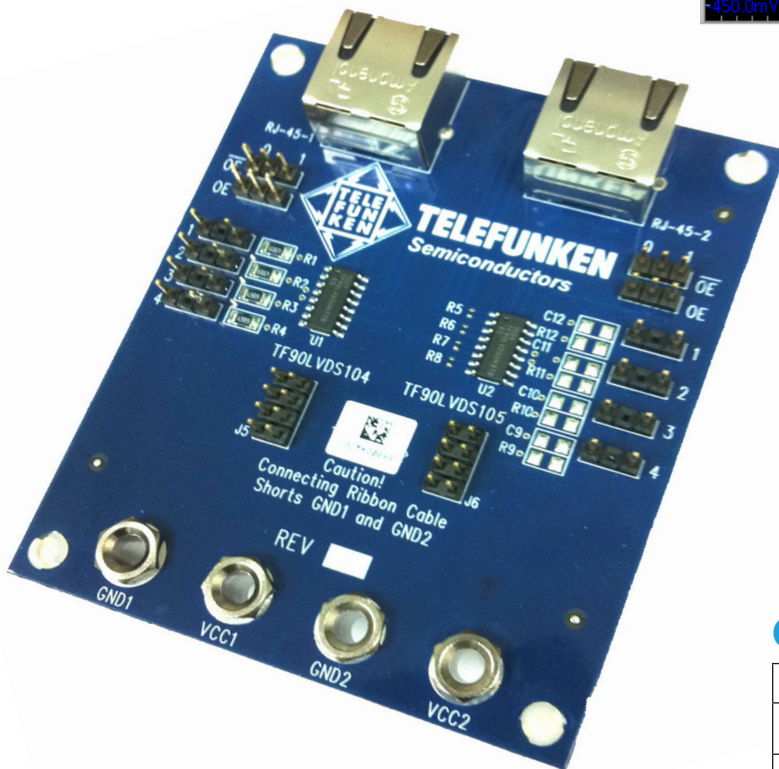
Product Cross Reference

Interface Products	NSC / TI	Maxim	Fairchild	TELEFUNKEN	Samples
LVDS 1 to 4 Repeater	SN65LVDS104	MAX9169		TF90LVDS104	Now
LVC MOS to LVDS 1 to 4 Repeater	SN65LVDS105	MAX9170		TF90LVDS105	Now
2 X 2 Crosspoint	DS90CP22	MAX9152	FIN1022	TF10CP22	Now

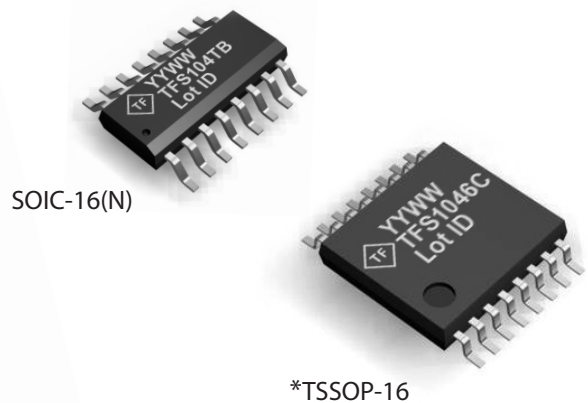
The TF90LVDS047/048EVK is an evaluation board designed to show the -7 to +12V extended common mode properties of Telefunken LVDS (including the TF90LVDS104).

The LVDS driver (TF90LVDS047) and receiver (TF90LVDS048) are placed on separate power planes allowing the user to place an offset voltage between GND1 and GND2 emulating an application with grounds at different potentials.

Evaluation Kit



TF90LVDS104, 200MHz eye pattern
All Ch En (CLOCK, 3.3V, +25°C):



Ordering Information

Year Year Week Week

PART NUMBER	PACKAGE	PACK / Qty	MARK
TF90LVDS104-TBU	SOIC-16(N)	Tube / 48	TF YYWW TFX104TB Lot ID
TF90LVDS104-TBG	SOIC-16(N)	T&R / 500	
TF90LVDS104-6CU	*TSSOP-16	Tube / 94	TF YYWW TFX1046C Lot ID
TF90LVDS104-6CG	*TSSOP-16	T&R / 1000	

Replace X with S for No Termination, or T for Termination. *Check on availability

PART NUMBER	MAIN IC (U1) PART NUMBER
TF90LVDS104EVK	TF90LVDS104-TBU

www.telefunkensemiconductors.com