



Features:

- Floating high-side driver in bootstrap operation to 600V
- Drives two N-channel MOSFETs or IGBTs in a half bridge configuration
- Outputs tolerant to negative transients
- Internal logic and dead time (540ns) to protect MOSFETs
- Wide logic and low side gate driver supply voltage: 10V to 20V
- Logic input (HIN and LIN*) 3.3V capability
- Schmitt triggered logic inputs with internal pull down
- Undervoltage lockout for high and low side drivers
- Extended temperature range:-40°C to +125°C

Description

The TF2108 is a high voltage, high speed gate driver capable of driving N-channel MOSFETs and IGBTs in a half bridge configuration. Telefunken's high voltage process enables the TF2108's high side to switch to 600V in a bootstrap operation.

The TF2108 logic inputs are compatible with standard TTL and CMOS levels (down to 3.3V) to interface easily with controlling devices. The driver outputs feature high pulse current buffers designed for minimum driver cross conduction. Internal deadtime protects high voltage MOSFETs.

The TF2108 is offered in 8-pin PDIP and SOIC narrow package. It operates over an extended -40 °C to +125 °C temperature range.



SOIC-8(N)



PDIP-8

Applications

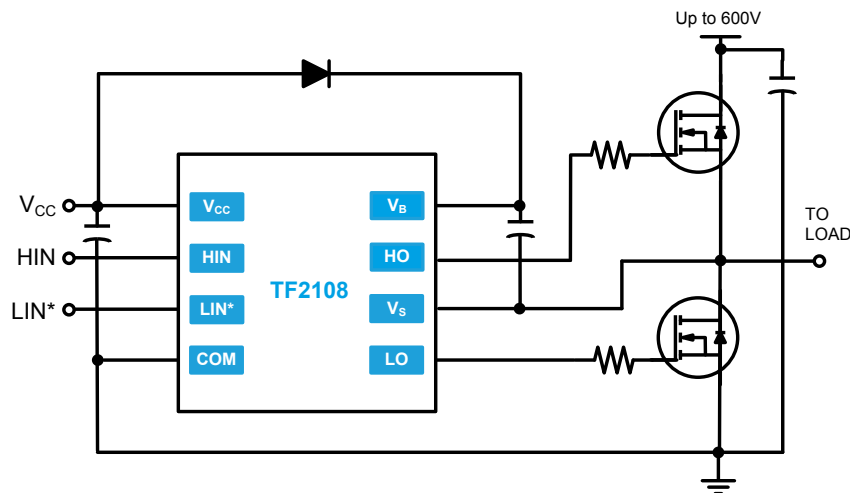
- DC-DC Converters
- AC-DC Inverters
- Motor Controls
- Class D Power Amplifiers

Ordering Information

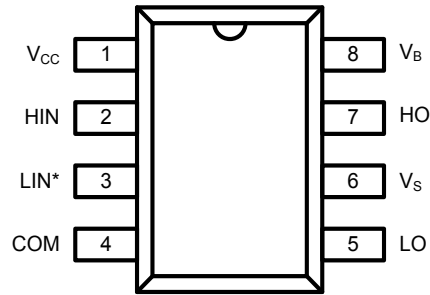
Year Year Week Week

PART NUMBER	PACKAGE	PACKING / Qty	MARK
TF2108-3AS	PDIP-8	Tube / 50	YYWW TF2108 Lot ID
TF2108-TAU	SOIC-8(N)	Tube / 100	YYWW TF2108 Lot ID
TF2108-TAH	SOIC-8(N)	Tape & Reel / 2500	

Typical Application



Pin Diagrams



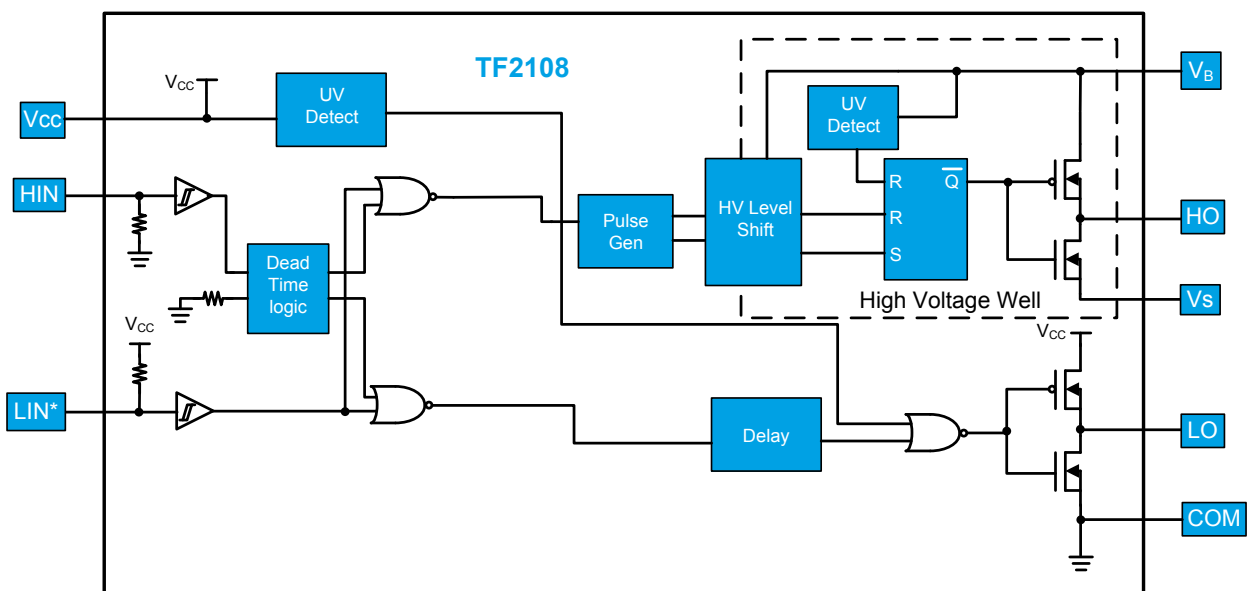
Top View: SOIC-8, PDIP-8

TF2108

Pin Descriptions

PIN NAME	PIN DESCRIPTION
HIN	Logic input for high-side gate driver output, in phase with HO
LIN*	Logic input for low side gate driver output, out of phase with LO
COM	Low-side return
LO	Low-side gate drive output
V _{cc}	Low-side and logic fixed supply
V _s	High-side floating supply return
HO	High-side gate drive output
V _b	High-side floating supply

Functional Block Diagram



Absolute Maximum Ratings (NOTE1)

V_B - High side floating supply voltage.....-0.3V to +624V
 V_S - High side floating supply offset voltage..... V_B -24V to V_B +0.3V
 V_{HO} - High side floating output voltage..... V_S -0.3V to V_B +0.3V
 dV_S/dt - Offset supply voltage transient.....50 V/ns

V_{CC} - Low side and logic fixed supply voltage.....-0.3V to +24V
 V_{LO} - Low side output voltage.....-0.3V to V_{CC} +0.3V
 V_{IN} - Logic input voltage (HIN and LIN*)..... V_{SS} - 0.3V to V_{CC} +0.3V

P_D - Package power dissipation at $T_A \leq 25^\circ\text{C}$

SOIC-8.....1.25W
 PDIP-8.....1.6W

NOTE1 Stresses beyond those listed under "Absolute Maximum Ratings" may cause permanent damage to the device. These are stress ratings only, and functional operation of the device at these or any other conditions beyond those indicated in the operational sections of the specifications is not implied. Exposure to absolute maximum rating conditions for extended periods may affect device reliability.

PDIP-8 Thermal Resistance (NOTE2)

θ_{JC}15 °C/W
 θ_{JA}^145 °C/W

SOIC-8(N) Thermal Resistance (NOTE2)

θ_{JC}25 °C/W
 θ_{JA}55 °C/W

T_J - Junction operating temperature+150 °C

T_L - Lead temperature (soldering, 10s) +300 °C

T_{stg} - Storage temperature range-55 °C to +150 °C

NOTE2 When mounted on a standard JEDEC 2-layer FR-4 board.

Recommended Operating Conditions

Symbol	Parameter	MIN	MAX	Unit
V_B	High side floating supply absolute voltage	$V_S + 10$	$V_S + 20$	V
V_S	High side floating supply offset voltage	(NOTE 3)	600	V
V_{HO}	High side floating output voltage	V_S	V_B	V
V_{CC}	Low side and logic fixed supply voltage	10	20	V
V_{LO}	Low side output voltage	COM	V_{CC}	V
V_{IN}	Logic input voltage	COM	V_{CC}	V
T_A	Ambient temperature	-40	125	°C

NOTE3 Logic operational for V_S of -5 V to +600 V. Logic state held for V_S of -5 V to - V_{BS} .

DC Electrical Characteristics (NOTE4)
 $V_{BIAS} (V_{CC}, V_{BS}) = 15V$ and $T_A = 25\text{ }^\circ\text{C}$ unless otherwise specified.

Symbol	Parameter	Conditions	MIN	TYP	MAX	Unit
V_{IH}	Logic "1" input voltage	$V_{CC} = 10V$ to $20V$	2.5			V
V_{IL}	Logic "0" input voltage				0.6	
V_{OH}	High level output voltage, $V_{BIAS} - V_O$	$I_O = 2mA$		0.05	0.2	
V_{OL}	Low level output voltage, V_O	$I_O = 2mA$		0.2	0.1	
I_{LK}	Offset supply leakage current	$V_B = V_S = 600V$			50	μA
I_{BSQ}	Quiescent V_{BS} supply current	$V_{IN} = 0V$ or $5V$	20	75	130	
I_{CCQ}	Quiescent V_{CC} supply current	$V_{IN} = 0V$ or $5V$	0.4	1.0	1.6	mA
I_{IN+}	Logic "1" input bias current	$HIN = 5V$, $LIN^* = 0V$		5	20	μA
I_{IN-}	Logic "0" input bias current	$HIN = 0V$, $LIN^* = 5V$			5	
V_{BSUV+}	V_{BS} supply under-voltage positive going threshold		8.0	8.9	9.8	V
V_{BSUV-}	V_{BS} supply under-voltage negative going threshold		7.4	8.2	9.0	
V_{CCUV+}	V_{CC} supply under-voltage positive going threshold		8.0	8.9	9.8	
V_{CCUV-}	V_{CC} supply under-voltage negative going threshold		7.4	8.2	9.0	
V_{CCUVH}	Hysteresis		0.3	0.7		V
V_{BSUVH}						
I_{O+}	Output high short circuit pulsed current	$V_O = 0V$, $PW \leq 10\ \mu s$	120	290		mA
I_{O-}	Output low short circuit pulsed current	$V_O = 15V$, $PW \leq 10\ \mu s$	250	600		

NOTE4 The V_{IN} , V_{TH} , I_{IN} parameters are referenced to V_{SS} and are applicable to the two logic input pins: HIN and LIN^* . The V_O and I_O parameters are referenced to COM and are applicable to the respective output pins: HO and LO .

AC Electrical Characteristics

$V_{BIAS} (V_{CC}, V_{BS}) = 15V$ and $C_L = 1000$ pF, and $T_A = 25$ °C unless otherwise specified.

Symbol	Parameter	Conditions	MIN	TYP	MAX	Unit
t_{ON}	Turn-on propagation delay	$V_S = 0V$		220	300	ns
t_{OFF}	Turn-off propagation delay	$V_S = 0V$ or 600V		200	280	
$t_{DM ON}$	Delay matching $ t_{ON} - t_{OFF} $			0	30	
t_r	Turn-on rise time	$V_S = 0V$		100	220	
t_f	Turn-off fall time			35	80	
t_{DT}	Deadtime: $t_{DT LO-HO}$ & $t_{DT HO-LO}$		400	540	680	
t_{MDT}	Deadtime matching = $t_{DT LO-HO} - t_{DT HO-LO}$			0	60	

Timing Waveforms

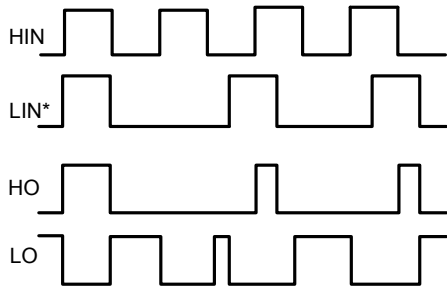


Figure 1. Input / Output Timing Diagram

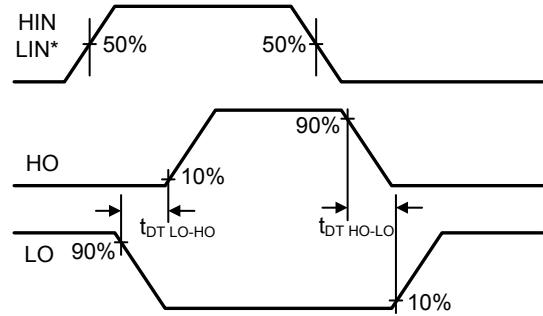


Figure 2. Deadtime Waveform Definitions

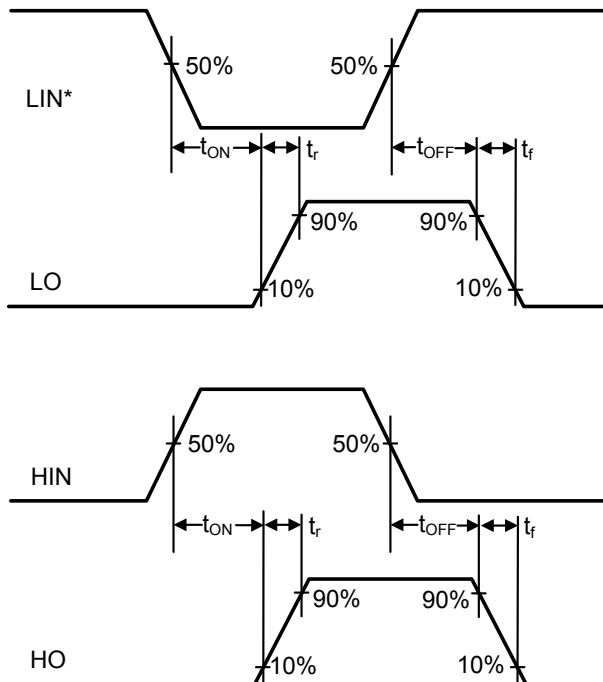
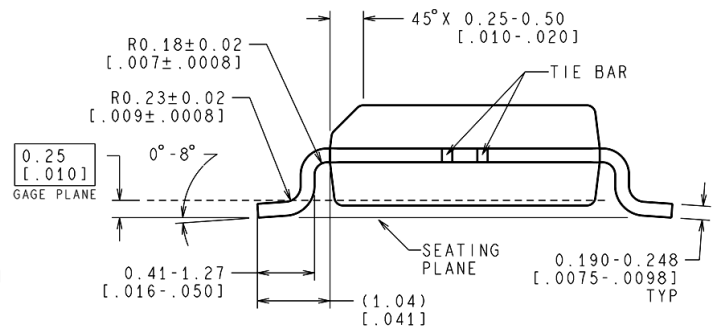
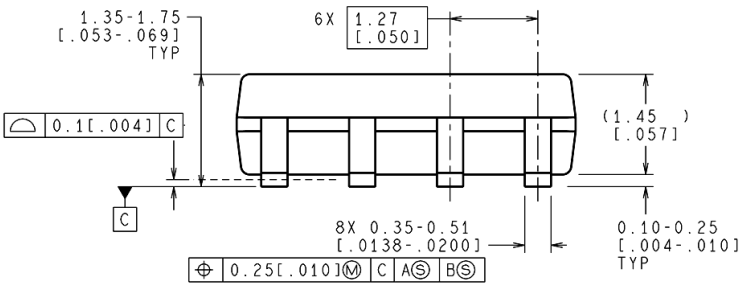
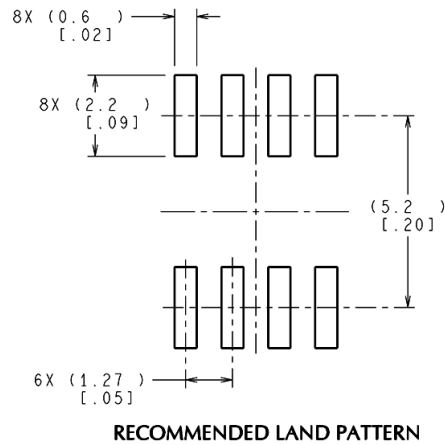
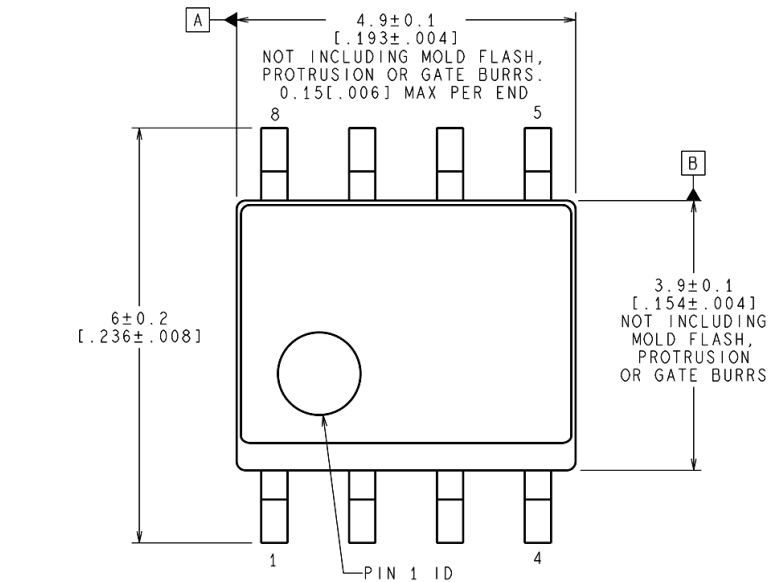


Figure 3. Switching Time Waveform Definitions

Package Dimensions (SOIC-8N)

Please contact support@tfsemi.com for package availability.



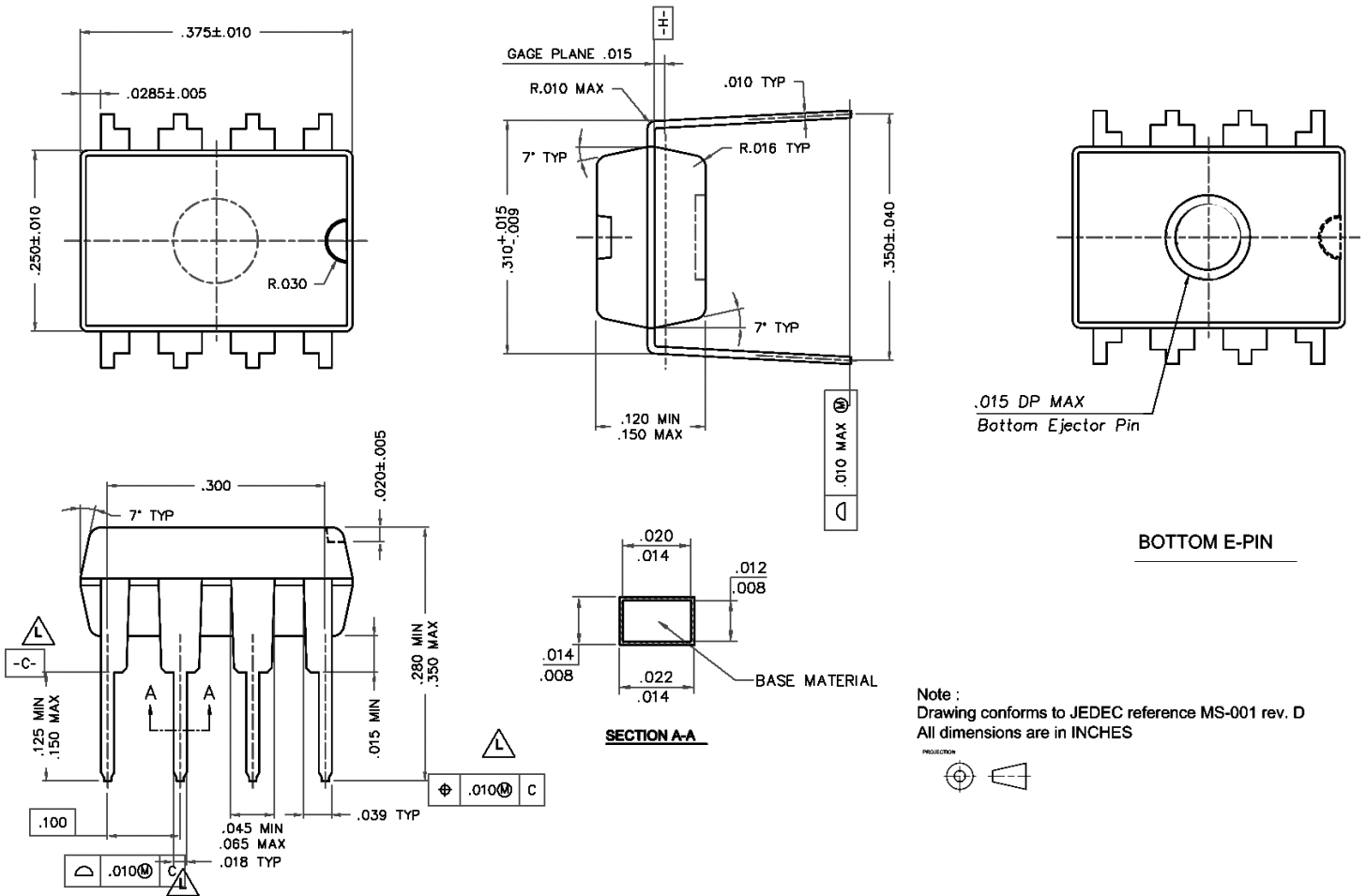
NOTES: UNLESS OTHERWISE SPECIFIED

1. REFERENCE JEDEC REGISTRATION MS-012, VARIATION AA.

CONTROLLING DIMENSION IS MILLIMETER
VALUES IN [] ARE INCHES
DIMENSIONS IN () FOR REFERENCE ONLY

Package Dimensions (PDIP-8)

Please contact support@tfsemi.com for package availability.



Notes

Important Notice

TF Semiconductor Solutions (TFSS) PRODUCTS ARE NEITHER DESIGNED NOR INTENDED FOR USE IN MILITARY AND/OR AEROSPACE, AUTOMOTIVE OR MEDICAL DEVICES OR SYSTEMS UNLESS THE SPECIFIC TFSS PRODUCTS ARE SPECIFICALLY DESIGNATED BY TFSS FOR SUCH USE. BUYERS ACKNOWLEDGE AND AGREE THAT ANY SUCH USE OF TFSS PRODUCTS WHICH TFSS HAS NOT DESIGNATED FOR USE IN MILITARY AND/OR AEROSPACE, AUTOMOTIVE OR MEDICAL DEVICES OR SYSTEMS IS SOLELY AT THE BUYER'S RISK.

TFSS assumes no liability for application assistance or customer product design. Customers are responsible for their products and applications using TFSS products.

Resale of TFSS products or services with statements different from or beyond the parameters stated by TFSS for that product or service voids all express and any implied warranties for the associated TFSS product or service. TFSS is not responsible or liable for any such statements.

©2014 TFSS. All Rights Reserved. Information and data in this document are owned by TFSS wholly and may not be edited, reproduced, or redistributed in any way without the express written consent from TFSS.

For additional information please contact support@tfsemi.com or visit www.tfsemi.com