



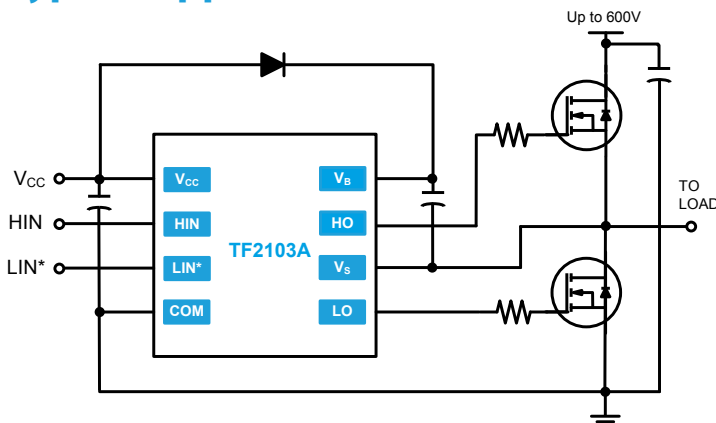
Features

- Floating high-side driver in bootstrap operation to 600V
- Drives two N-channel MOSFETs or IGBTs in a half bridge configuration
- 210mA source/360mA sink output current capability
- Outputs tolerant to negative transients
- Internal dead time of 520ns to protect MOSFETs
- Wide low side gate driver supply voltage: 10V to 20V
- Logic input (HIN and LIN*) 3.3V capability
- Schmitt triggered logic inputs
- Undervoltage lockout for V_{CC} (logic and low side supply)
- Extended temperature range: -40°C to +125°C

Applications

- DC-DC Converters
- AC-DC Inverters
- Motor Controls
- Class D Power Amplifiers

Typical Application



Description

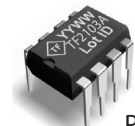
The TF2103A is a high voltage, high speed gate driver capable of driving N-channel MOSFETs and IGBTs in a half bridge configuration. Telefunken's high voltage process enables the TF2103A's high side to switch to 600V in a bootstrap operation.

The TF2103A logic inputs are compatible with standard TTL and CMOS levels (down to 3.3V) to interface easily with controlling devices. The driver outputs feature high pulse current buffers designed for minimum driver cross conduction. TF2103A has a fixed internal deadtime of 520ns (typical).

The TF2103A is offered in PDIP-8 and SOIC-8(N) packages and operate over an extended -40°C to +125°C temperature range.



SOIC-8(N)

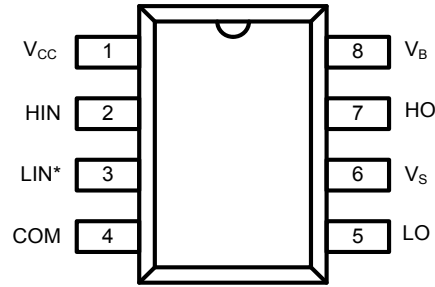


PDIP-8

Ordering Information

PART NUMBER	PACKAGE	PACK / Qty	MARK	
			Year	Week
TF2103A-3AS	PDIP-8	Tube / 50	YYWW TF	TF2103 Lot ID
TF2103A-TAU	SOIC-8(N)	Tube / 100	YYWW TF	TF2103 Lot ID
TF2103A-TAH	SOIC-8(N)	T&R / 2500	YYWW TF	TF2103 Lot ID

Pin Diagrams



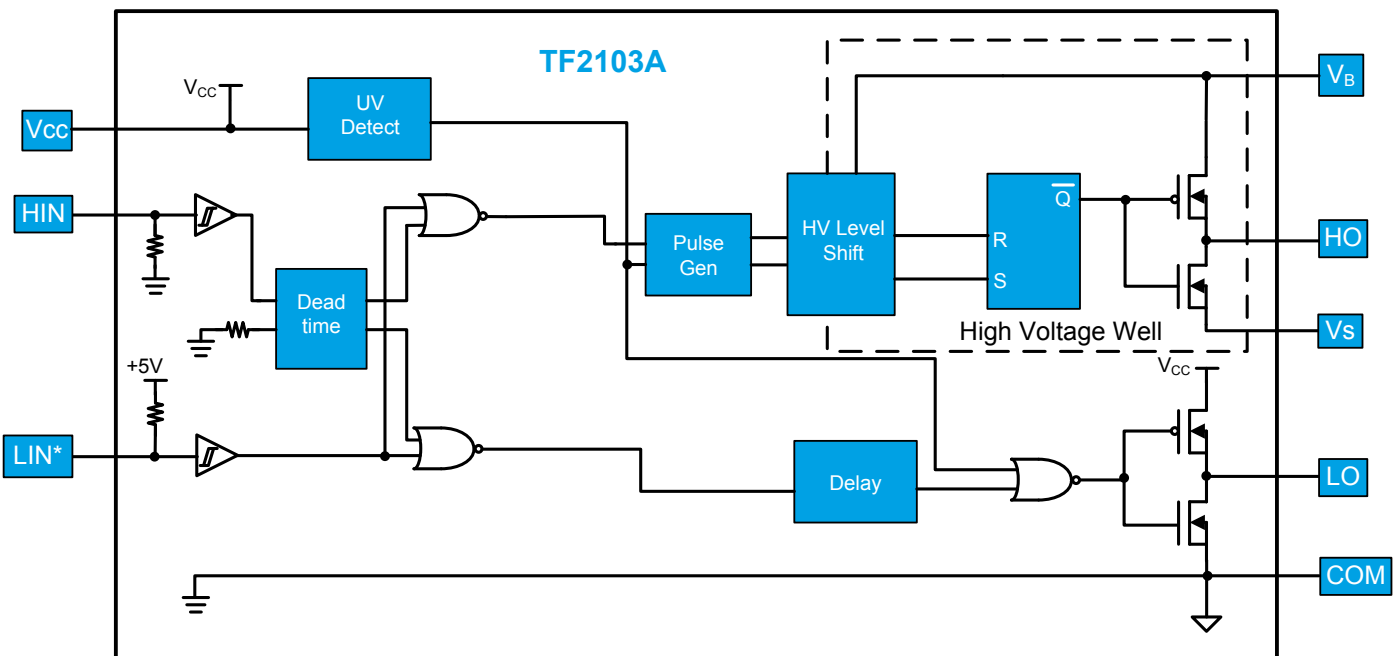
Top View: PDIP-8, SOIC-8

TF2103A

Pin Descriptions

PIN NAME	PIN NUMBER	PIN DESCRIPTION
V_{CC}	1	Logic and low side supply
HIN	2	Logic input for high-side gate driver output in phase with HO
LIN*	3	Logic input for low-side gate driver output out of phase with LO
COM	4	Low-side and logic return
LO	5	Low-side gate drive output
V_S	6	High-side floating supply return
HO	7	High-side gate drive output
V_B	8	High-side floating supply

Functional Block Diagram



Absolute Maximum Ratings (NOTE1)

V_B - High side floating supply voltage.....-0.3V to +624V
 V_S - High side floating supply offset voltage... V_B -24V to V_B +0.3V
 V_{HO} - High side floating output voltage..... V_S -0.3V to V_B +0.3V
 dV_S/dt - Offset supply voltage transient.....50V/ns

V_{CC} - Low-side fixed supply voltage.....-0.3V to +24V
 V_{LO} - Low-side output voltage.....-0.3V to V_{CC} +0.3V
 V_{IN} - Logic input voltage (HIN and LIN*).....-0.3V to V_{CC} +0.3V

NOTE1 Stresses beyond those listed under "Absolute Maximum Ratings" may cause permanent damage to the device. These are stress ratings only, and functional operation of the device at these or any other conditions beyond those indicated in the operational sections of the specifications is not implied. Exposure to absolute maximum rating conditions for extended periods may affect device reliability.

P_D - Package power dissipation at $T_A \leq 25^\circ\text{C}$
 SOIC-8.....0.625W
 PDIP-8.....1.0W

SOIC-8(N) Thermal Resistance (NOTE2)

θ_{JA}200 °C/W

PDIP-8 Thermal Resistance (NOTE2)

θ_{JA}125 °C/W

T_J - Junction operating temperature.....+150 °C

T_L - Lead Temperature (soldering, 10 seconds).....+300 °C

T_{stg} - Storage temperature-55 to 150 °C

NOTE2 When mounted on a standard JEDEC 2-layer FR-4 board.

Recommended Operating Conditions

Symbol	Parameter	MIN	MAX	Unit
V_B	High side floating supply absolute voltage	$V_S + 10$	$V_S + 20$	V
V_S	High side floating supply offset voltage	NOTE3	600	V
V_{HO}	High side floating output voltage	V_S	V_B	V
V_{CC}	Low side fixed supply voltage	10	20	V
V_{LO}	Low side output voltage	0	V_{CC}	V
V_{IN}	Logic input voltage (HIN and LIN*)	0	V_{CC}	V
T_A	Ambient temperature	-40	125	°C

NOTE3 Logic operational for V_S of -5V to +600V. Logic state held for V_S of -5V to -VBS

DC Electrical Characteristics (NOTE4)

$V_{BIAS} (V_{CC}, V_{BS}) = 15V, T_A = 25\text{ }^\circ\text{C}$, unless otherwise specified.

Symbol	Parameter	Conditions	MIN	TYP	MAX	Unit
V_{IH}	Logic "1" (HIN) & Logic "0" (LIN*) input voltage	$V_{CC} = 10V$ to $20V$	2.5			V
V_{IL}	Logic "0" (HIN) & Logic "1" (LIN*) input voltage				0.8	
V_{OH}	High level output voltage, $V_{BIAS} - V_O$	$I_O = 2mA$		0.05	0.2	
V_{OL}	Low level output voltage, V_O	$I_O = 2mA$		0.02	0.1	
I_{LK}	Offset supply leakage current	$V_B = V_S = 600V$			50	μA
I_{BSQ}	Quiescent V_{BS} supply current	$V_{IN} = 0V$ or $5V$		30	55	
I_{CCQ}	Quiescent V_{CC} supply current	$V_{IN} = 0V$ or $5V$		370	500	
I_{IN+}	Logic "1" input bias current	$HIN = 5V, LIN^* = 0V$		3	10	
I_{IN-}	Logic "0" input bias current	$HIN = 0V, LIN^* = 5V$			5	
V_{CCUV+}	V_{CC} supply under-voltage positive going threshold		8.0	8.9	9.8	V
V_{CCUV-}	V_{CC} supply under-voltage negative going threshold		7.4	8.2	9.0	
I_{O+}	Output high short circuit pulsed current	$V_O = 0V, PW \leq 10\ \mu s$	130	210		mA
I_{O-}	Output low short circuit pulsed current	$V_O = 15V, PW \leq 10\ \mu s$	270	360		

NOTE4 The V_{IN} , V_{TH} , and I_{IN} parameters are applicable to the two logic input pins: HIN and LIN*. The V_O and I_O parameters are applicable to the respective output pins: HO and LO

AC Electrical Characteristics

$V_{BIAS} (V_{CC}, V_{BS}) = 15V$, $C_L = 1000pF$, and $T_A = 25\text{ }^\circ\text{C}$, unless otherwise specified.

Symbol	Parameter	Conditions	MIN	TYP	MAX	Unit
t_{on}	Turn-on propagation delay	$V_S = 0V$		680	820	ns
t_{off}	Turn-off propagation delay	$V_S = 600V$		150	220	
t_{DM}	Delay matching, HS & LS turn-on/turn-off				60	
t_r	Turn-on rise time	$V_S = 0V$		100	170	
t_f	Turn-off fall time			50	60	
t_{DT}	Deadtime: $t_{DT LO-HO}$ & $t_{DT HO-LO}$		400	520	650	

Timing Waveforms

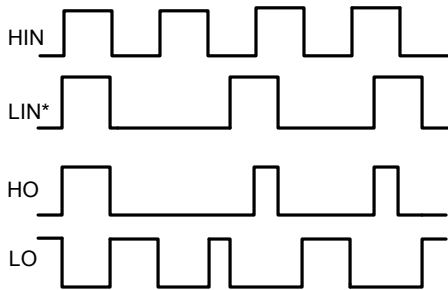


Figure 1. Input / Output Timing Diagram

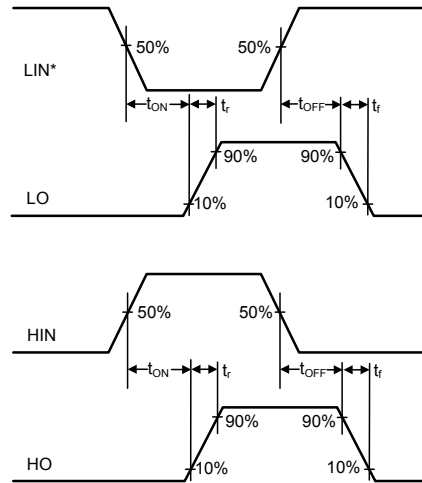


Figure 2. Switching Time Waveform Definitions

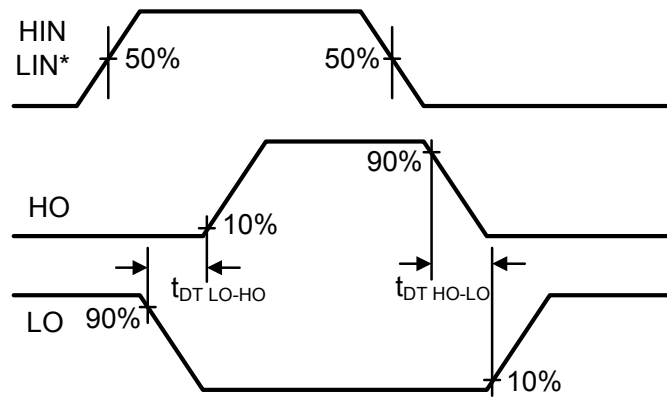
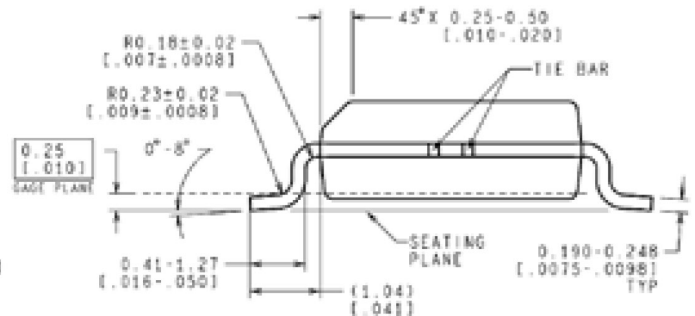
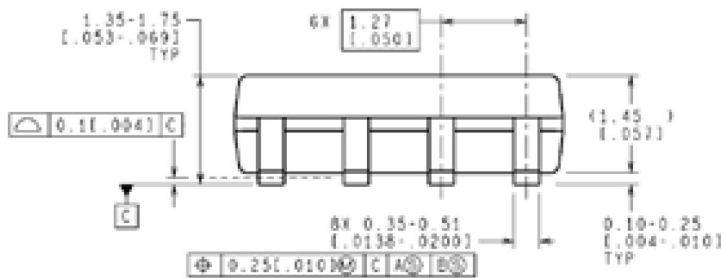
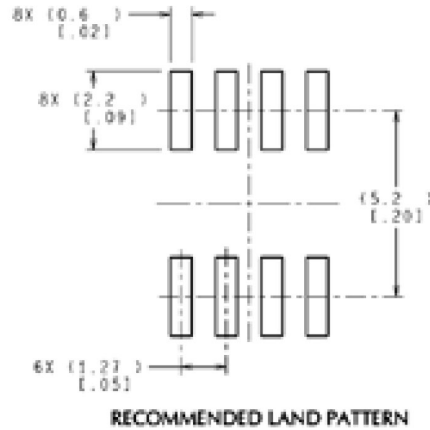
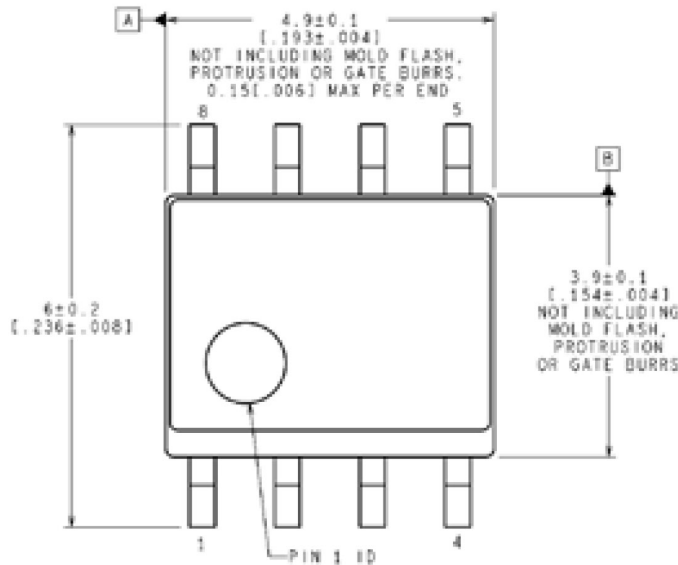


Figure 3. Deadtime Waveform Definitions

Package Dimensions (SOIC-8 N)

Please contact support@tfsemi.com for package availability.



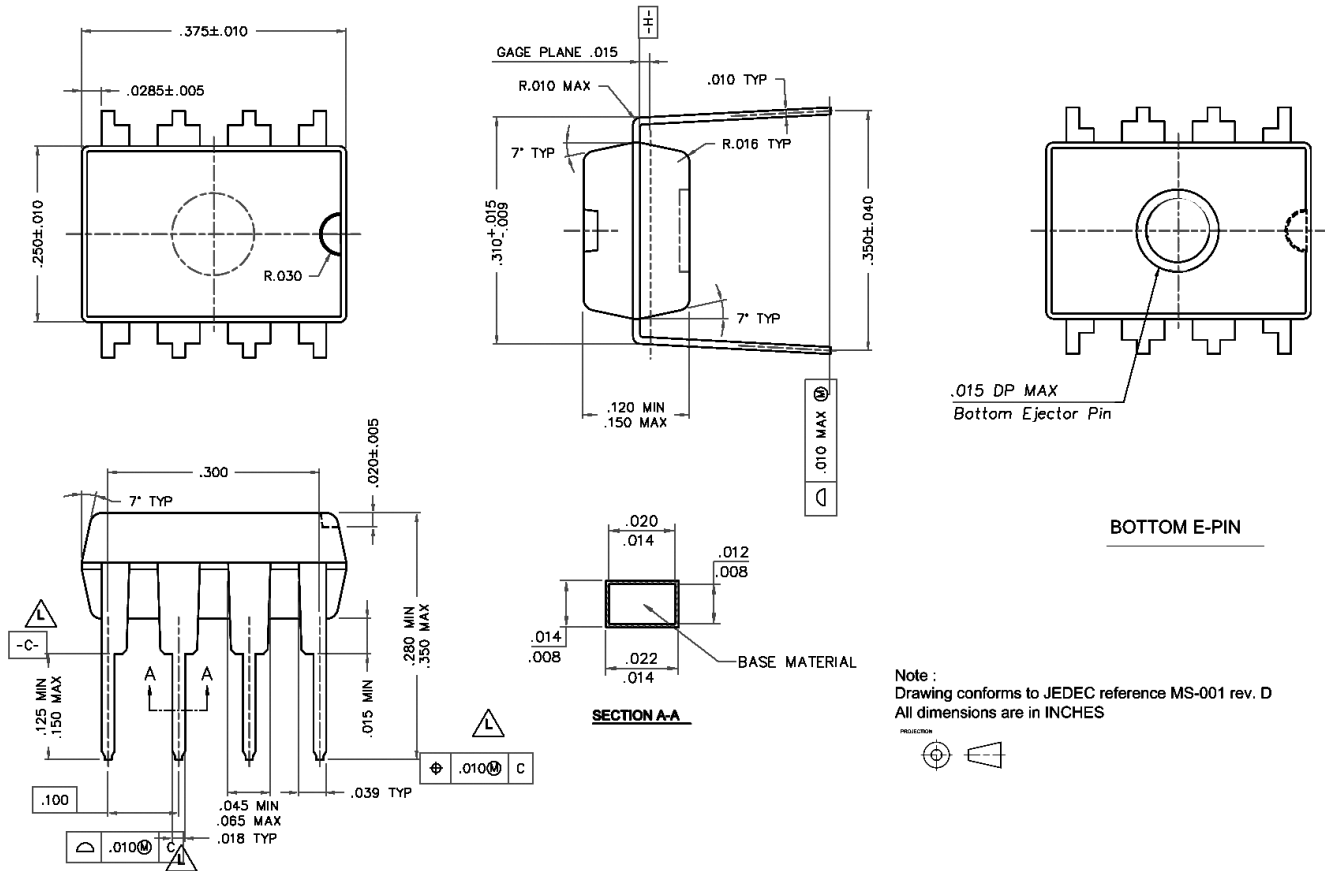
NOTES: UNLESS OTHERWISE SPECIFIED

1. REFERENCE JEDEC REGISTRATION MS-012, VARIATION AA.

CONTROLLING DIMENSION IS MILLIMETER
VALUES IN [] ARE INCHES
DIMENSIONS IN () FOR REFERENCE ONLY

Package Dimensions (PDIP-8)

Please contact support@tfsemi.com for package availability.



Notes

Important Notice

TF Semiconductor Solutions (TFSS) PRODUCTS ARE NEITHER DESIGNED NOR INTENDED FOR USE IN MILITARY AND/OR AEROSPACE, AUTOMOTIVE OR MEDICAL DEVICES OR SYSTEMS UNLESS THE SPECIFIC TFSS PRODUCTS ARE SPECIFICALLY DESIGNATED BY TFSS FOR SUCH USE. BUYERS ACKNOWLEDGE AND AGREE THAT ANY SUCH USE OF TFSS PRODUCTS WHICH TFSS HAS NOT DESIGNATED FOR USE IN MILITARY AND/OR AEROSPACE, AUTOMOTIVE OR MEDICAL DEVICES OR SYSTEMS IS SOLELY AT THE BUYER'S RISK.

TFSS assumes no liability for application assistance or customer product design. Customers are responsible for their products and applications using TFSS products.

Resale of TFSS products or services with statements different from or beyond the parameters stated by TFSS for that product or service voids all express and any implied warranties for the associated TFSS product or service. TFSS is not responsible or liable for any such statements.

©2014 TFSS. All Rights Reserved. Information and data in this document are owned by TFSS wholly and may not be edited, reproduced, or redistributed in any way without the express written consent from TFSS.

For additional information please contact support@tfproducts.com or visit www.tfsemi.com